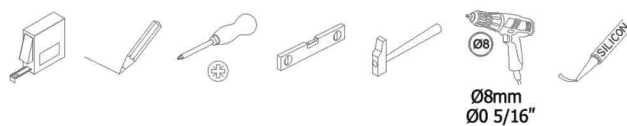


01.



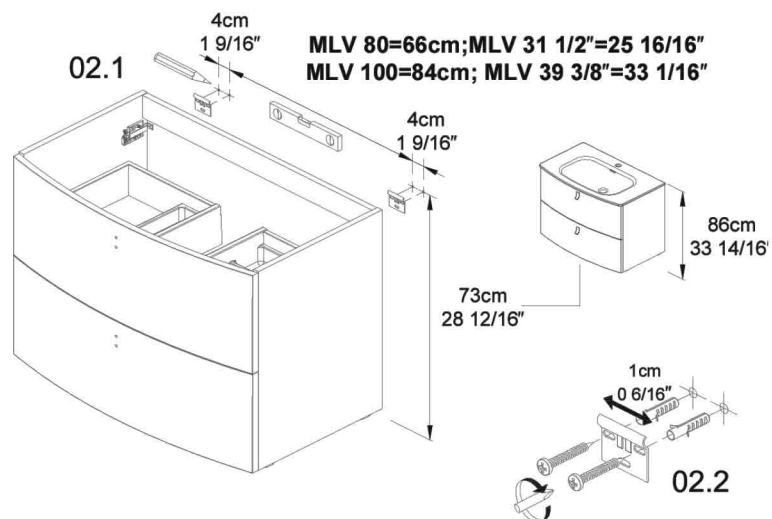
Collection
Installation
Instructions

Model |
Rondo

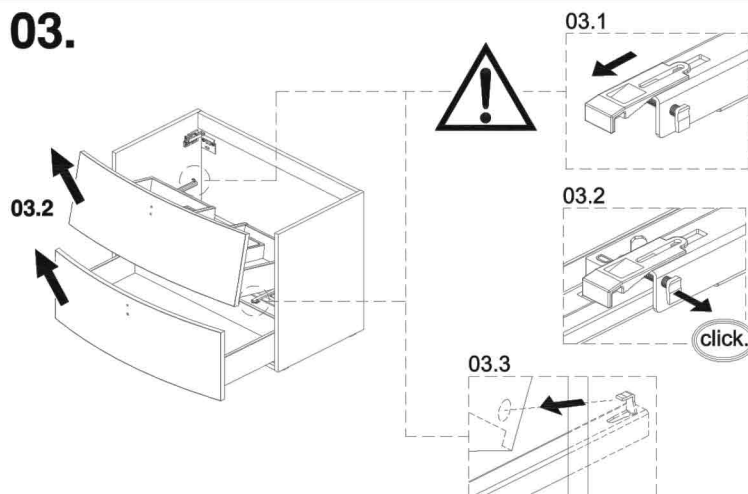
Dimensions Metric
1 inch = 2.54 cm
1 inch = 25.4 mm

WS[®]
BATH
COLLECTIONS
1051 Lea Drive - Collegeville, PA 19426
Tel. 215 513 9400 - Fax 610 831 0215
www.ws bathcollections.com - info@ws bathcollections.com

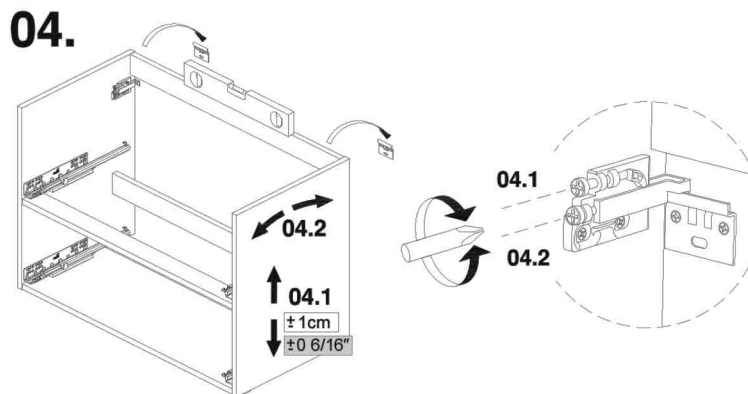
02.



03.



04.



Collection
Installation
Instructions

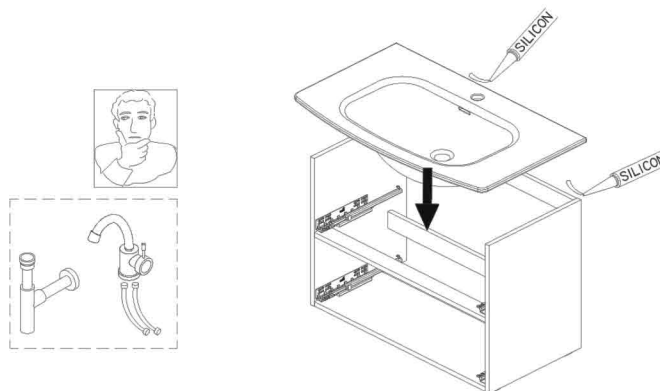
Model |
Rondo

Dimensions Metric
1 inch = 2.54 cm
1 inch = 25.4 mm

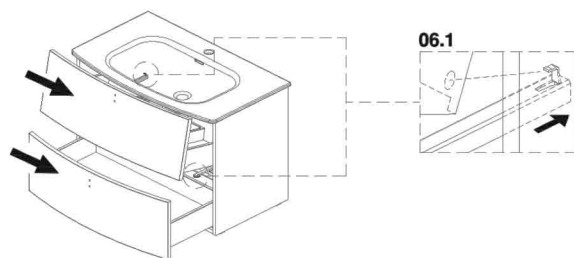
WS[®]
BATH
COLLECTIONS

1051 Lea Drive - Collegeville, PA 19426
Tel. 215 513 9400 - Fax 610 831 0215
www.ws bathcollections.com - info@ws bathcollections.com

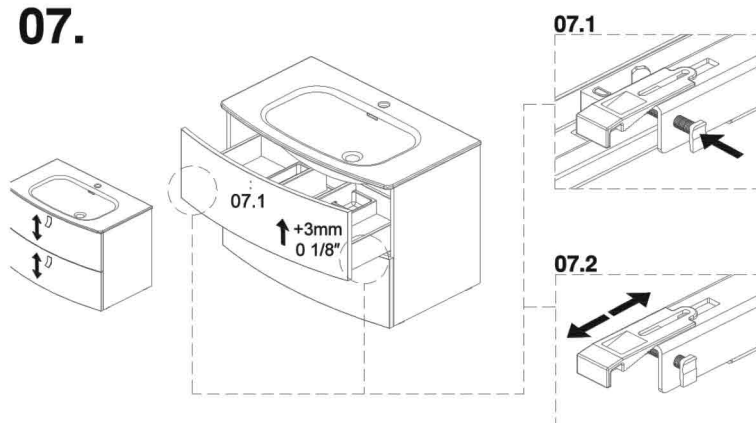
05.



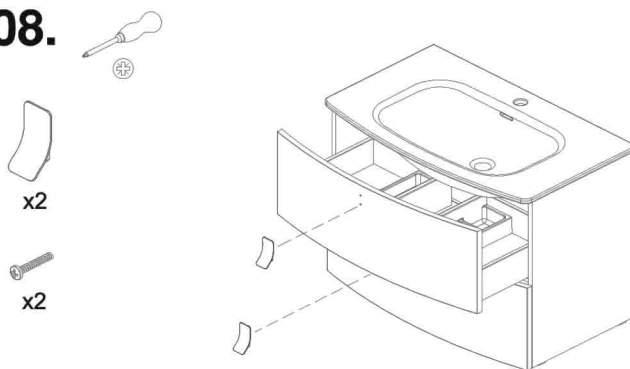
06.



07.



08.



Collection
Installation
Instructions

Model |
Rondo

Dimensions Metric
1 inch = 2.54 cm
1 inch = 25.4 mm

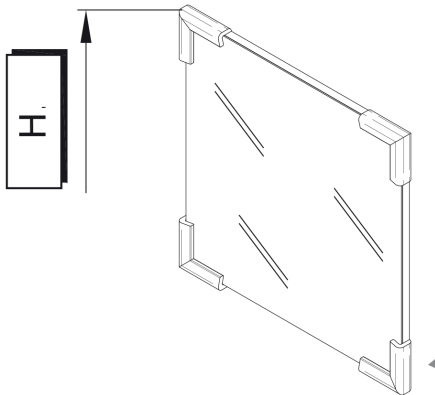
WS®
BATH
COLLECTIONS

1051 Lea Drive - Collegeville, PA 19426
Tel. 215 513 9400 - Fax 610 831 0215
www.wsbathcollections.com - info@wsbathcollections.com

17/05/17

ESPEJOS/MIRRORS

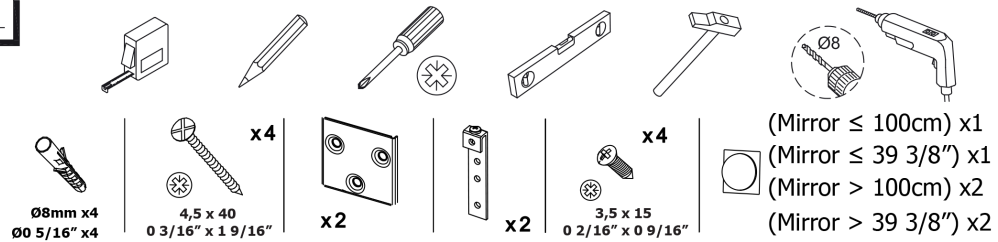
144373



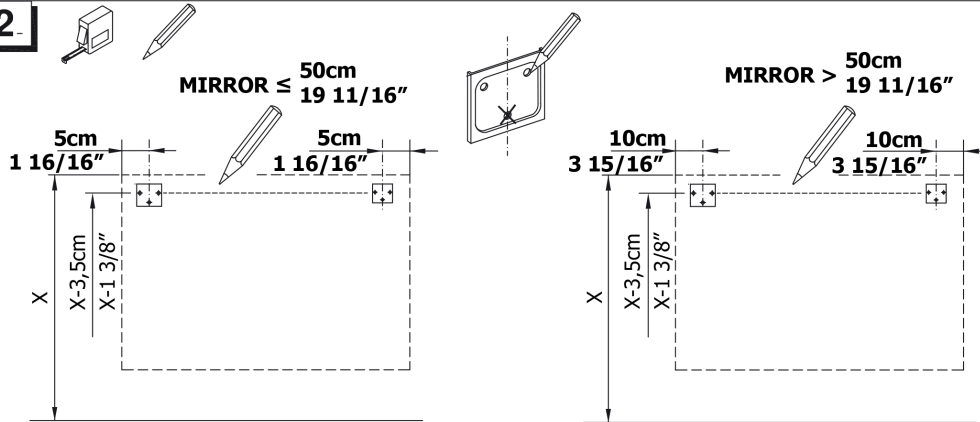
- E** No retirar protecciones hasta que el espejo esté instalado
- UK** NO TAKE OFF THE PROTECTIONS UNTIL THE MIRROR IS INSTALLED
- D** Schutz nicht zurücksiehen, bis der Spiegel ist verpackt!
- F** NE PAS RETIRER LA PROTECTION TANT QUE LE MIROIR N'EST PAS INSTALLÉ.
- GR** ΜΗΝ ΑΦΑΙΡΕΙΤΕ ΤΑ ΠΡΟΣΤΑΤΕΥΤΙΚΑ ΜΕΧΡΙ ΤΗΝ ΤΟΠΟΘΕΤΗΣΗ ΤΟΥ ΚΑΘΡΕΠΤΗ
- NL** Verwijder de protectie niet tot dat de spiegel is geïnstalleerd
- H** A VÉDŐCSOMAGOLÁST A TÜKÖR FELHELYEZÉSÉIG KÉRJÜK MEGŐRIZNI
- I** Non ritirare protezioni fino a che lo specchio sia installato
- NO** Ikke fjern beskyttelsen før speilet er montert opp
- RU** Не удалять элементы защиты до завершения установки зеркала
- PL** Nie zdejmować zabezpieczenia dopóki lustro nie będzie zamontowane!!!



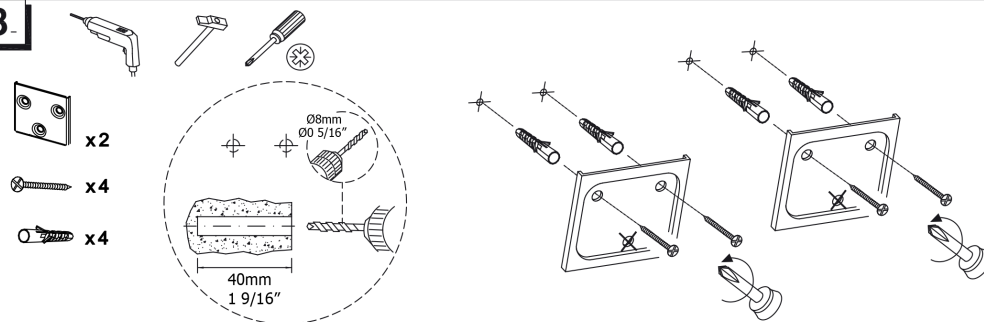
01.



02.



03.



Collection
Installation
Instructions

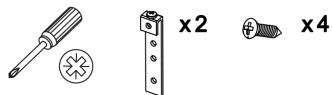
Model |
Mirror

Dimensions Metric
1 inch = 2.54 cm
1 inch = 25.4 mm

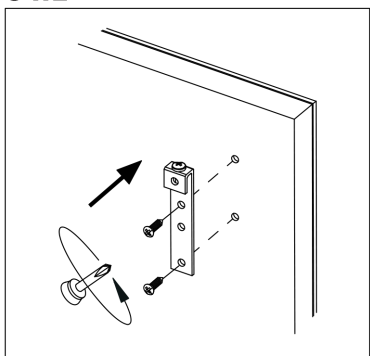
WS[®]
BATH
COLLECTIONS

1051 Lea Drive - Collegeville, PA 19426
Tel. 215 513 9400 - Fax 610 831 0215
www.ws bathcollections.com - info@ws bathcollections.com

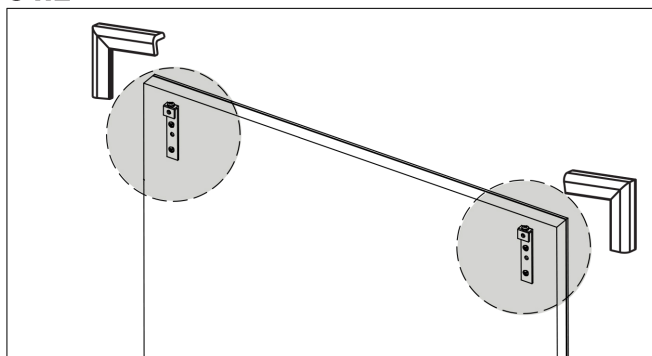
04.



04.1



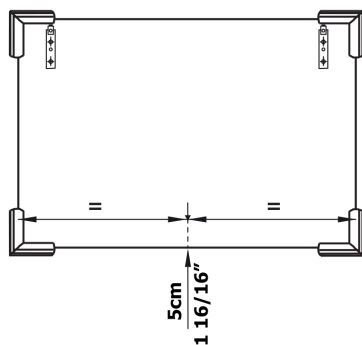
04.2



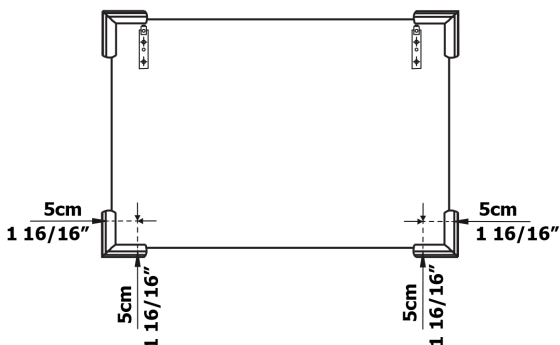
05.



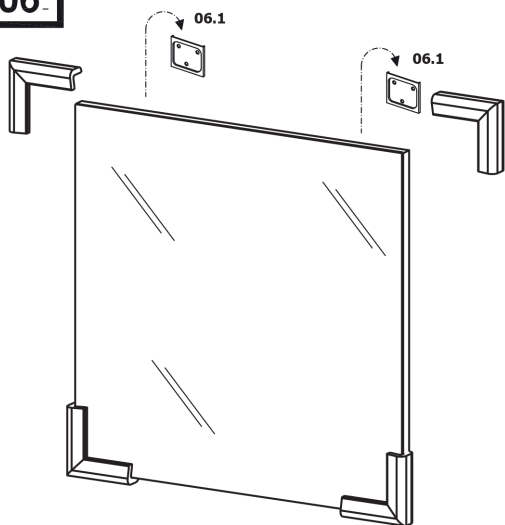
MIRROR \leq 100cm
39 3/8"



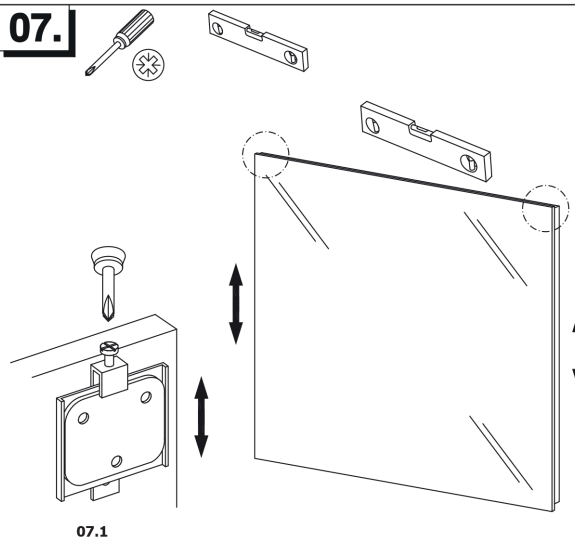
MIRROR > 100cm
39 3/8"



06.



07.



07.1

Collection
Installation
Instructions

Model |
Mirror

Dimensions Metric
1 inch = 2.54 cm
1 inch = 25.4 mm

WS®
BATH
COLLECTIONS

1051 Lea Drive - Collegeville, PA 19426
Tel. 215 513 9400 - Fax 610 831 0215
www.ws bathcollections.com - info@ws bathcollections.com